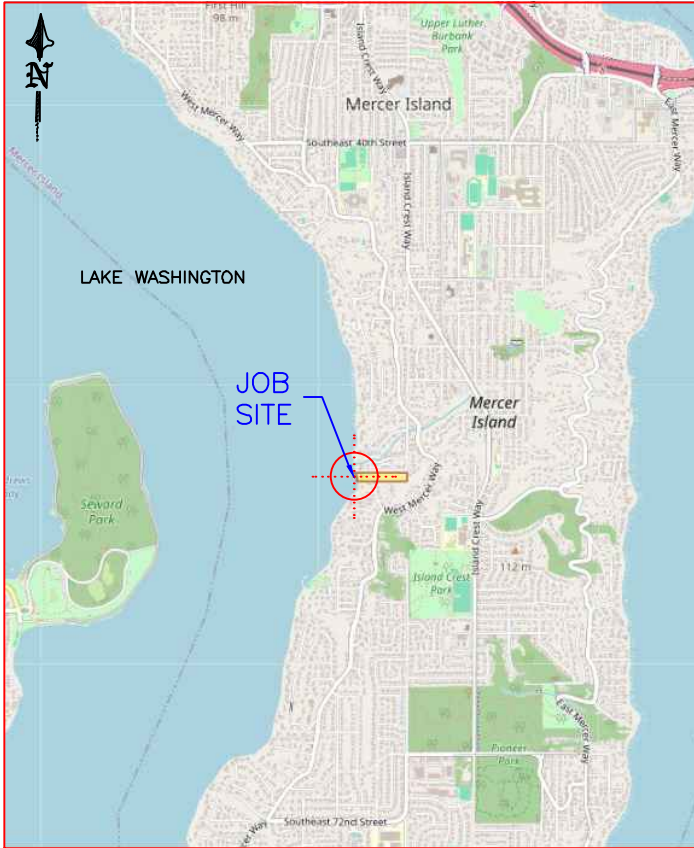
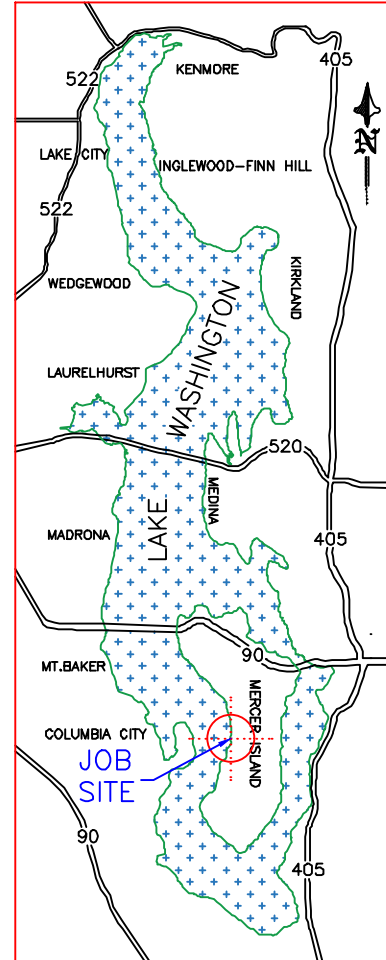


VICINITY MAP/NO SCALE



AREA MAP/NO SCALE



LEGAL DESCRIPTION

SECTION: NE-24-24-04 **LAT:** 47.556838 (47° 33' 24.6168" N)
TAXLOT #: 242404-9035 **LONG:** -122.231026 (122° 13' 51.6936" W)

PCL A & B MERCER ISLAND LLR # MI SUB SUB13-011 REC#
 20131016900001 SD LLR BEING S 181.18 FT OF GL 7 CLASSIFIED AS
 OPEN SPACE LAND UNDER CHAPTER 84.34 RCW

PROJECT DESIGNED BY:

Waterfront Construction Inc.

THIS DOCUMENT IS **PROPRIETARY** PROPERTY OF WATERFRONT
 CONSTRUCTION INC., AND IS NOT TO BE USED, IN WHOLE OR IN
 PART, FOR ANY OTHER PROJECT WITHOUT THE WRITTEN
 AUTHORIZATION OF WATERFRONT CONSTRUCTION INC.

ADJACENT OWNERS:

- ① GORDON & PATRICIA COHEN
5067 84TH AVE S.E.
MERCER ISLAND, WA 98040
- ② WENDY WHITESELL
5203 82ND AVE S.E.
MERCER ISLAND, WA 98040

APPLICATION#:

PROPOSED: DOCK SURFACE REPLACEMENT W/
LIGHT-TRANSMITTING GRATING

PURPOSE: PROVIDE FOR ECOLOGICALLY-FRIENDLY
DOCK SURFACE

DATUM: C.O.E. MLLW=0.0'

DWG#: 24-38029-A1-1

APPLICANT: STEPHEN NEWTON

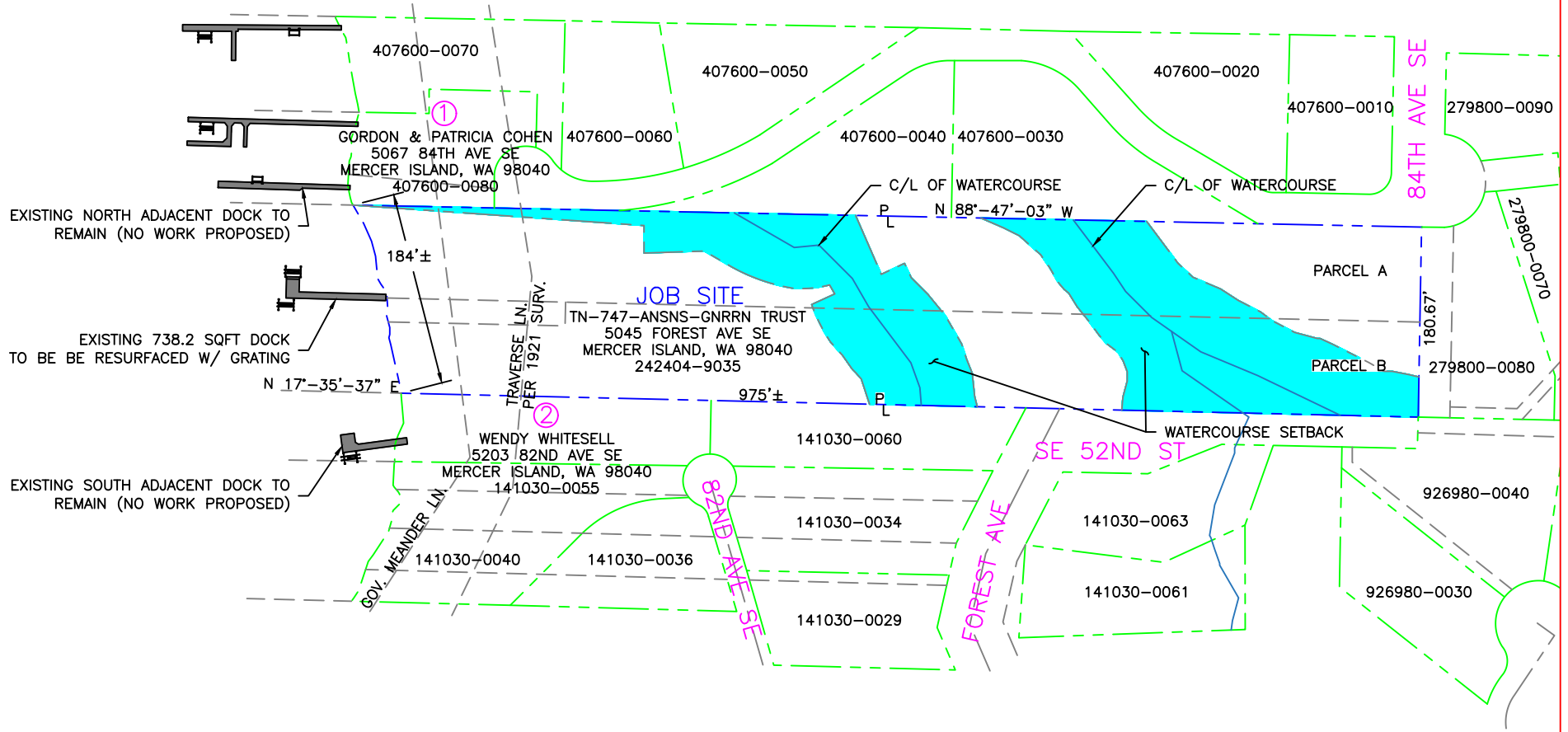
SITE ADD: 5045 FOREST AVE. S.E.
MERCER ISLAND, WA 98040

MAIL ADD: c/o SCHULTZ-MILLER
1015 N.E. 113TH ST.
SEATTLE, WA 98125

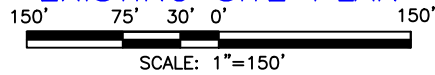
PAGE: 1 **OF:** 6 **DATE:** 10/04/2024



LAKE WASHINGTON



EXISTING SITE PLAN

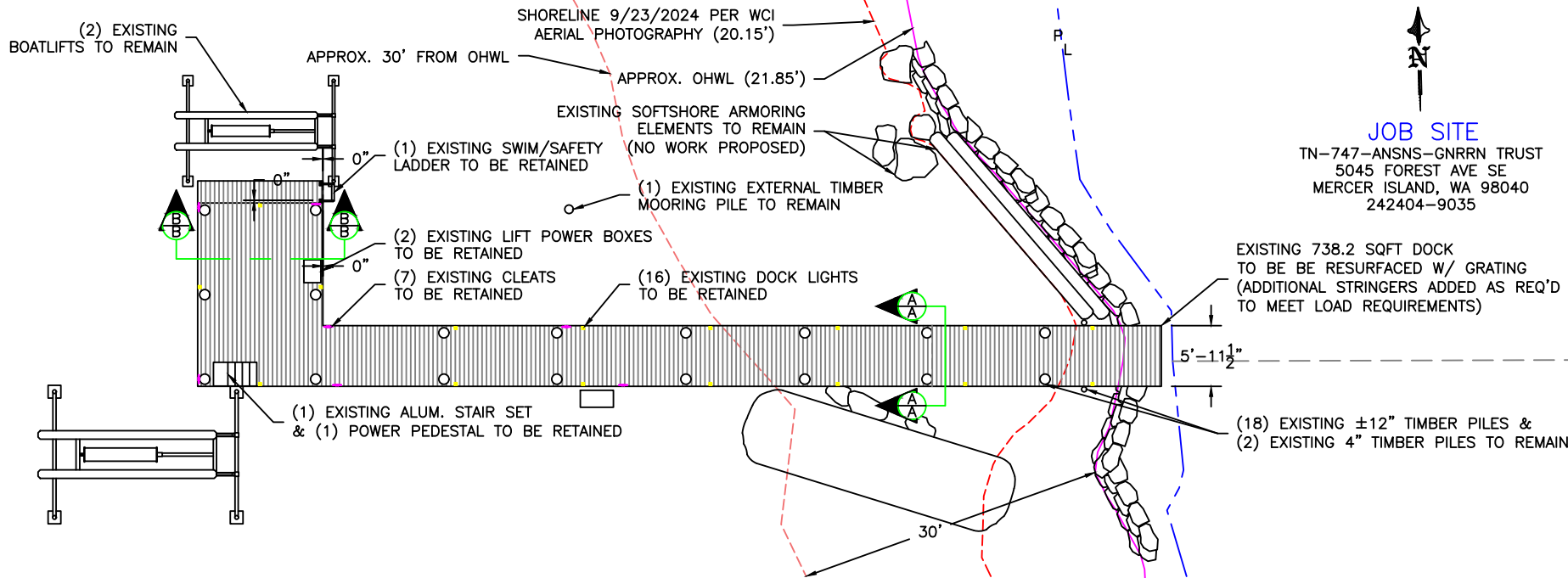


PROJECT DESIGNED BY:

Waterfront Construction Inc.

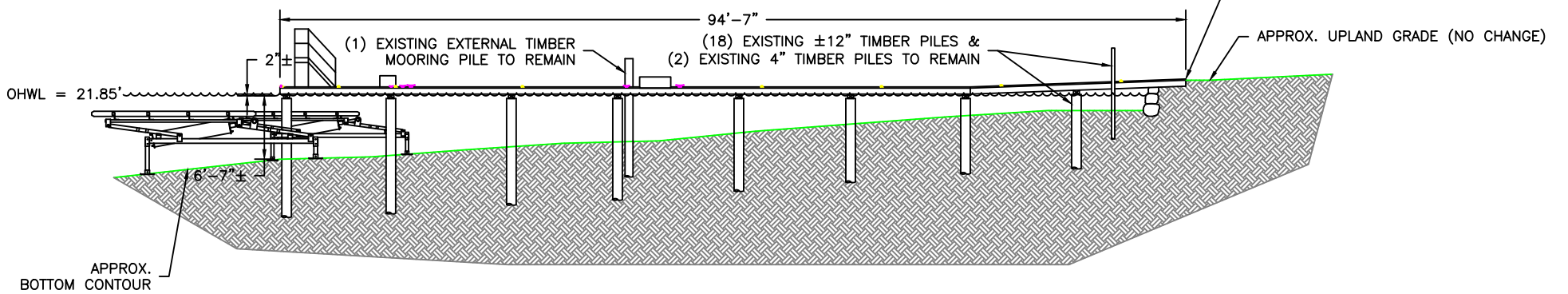
THIS DOCUMENT IS PROPRIETARY PROPERTY OF WATERFRONT CONSTRUCTION INC., AND IS NOT TO BE USED, IN WHOLE OR IN PART, FOR ANY OTHER PROJECT WITHOUT THE WRITTEN AUTHORIZATION OF WATERFRONT CONSTRUCTION INC.

REFERENCE #:	
APPLICANT: STEPHEN NEWTON	
PROPOSED: DOCK SURFACE REPLACEMENT W/ LIGHT-TRANSMITTING GRATING	
SHEET: 2 OF: 6	NEAR/AT: MERCER ISLAND
DATE: 10/04/2024	DWG#: 24-38029-A1-2

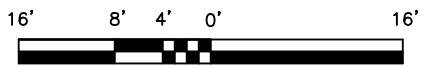


JOB SITE
 TN-747-ANSNS-GNRRN TRUST
 5045 FOREST AVE SE
 MERCER ISLAND, WA 98040
 242404-9035

EXISTING SITE PLAN DETAIL
 SCALE: 1/16"=1'



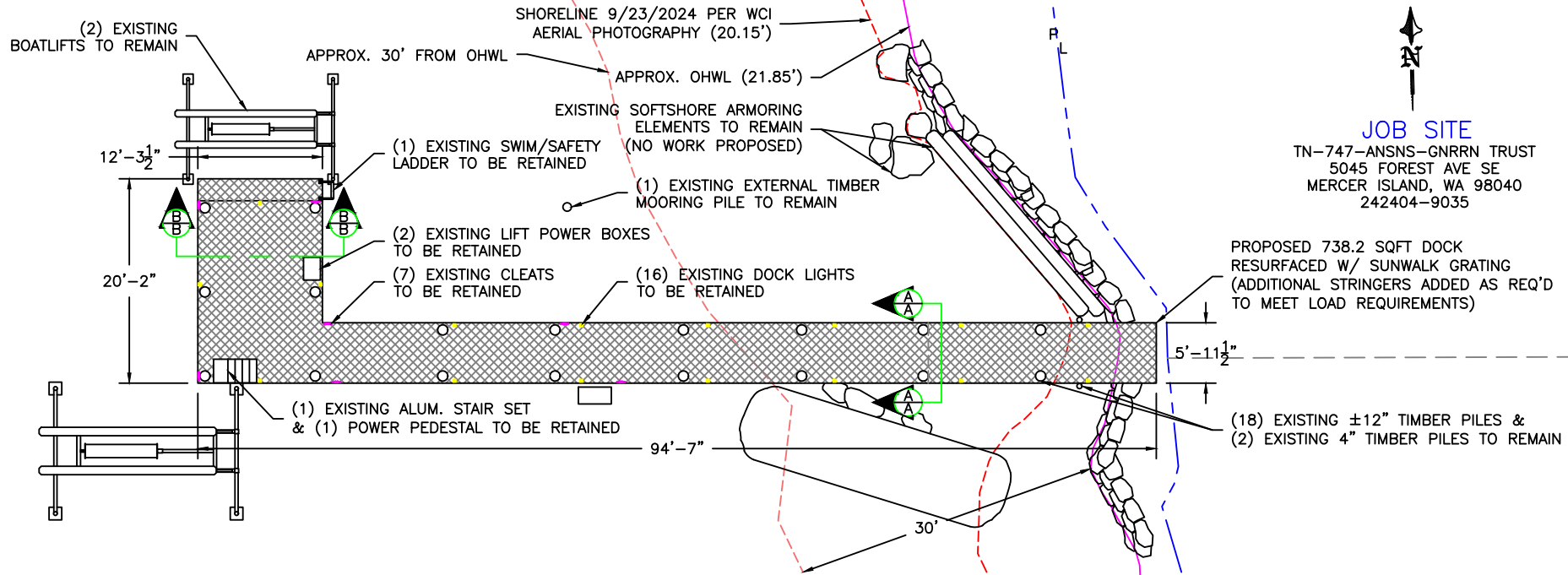
EXISTING ELEVATION



SCALE: 1/16"=1'

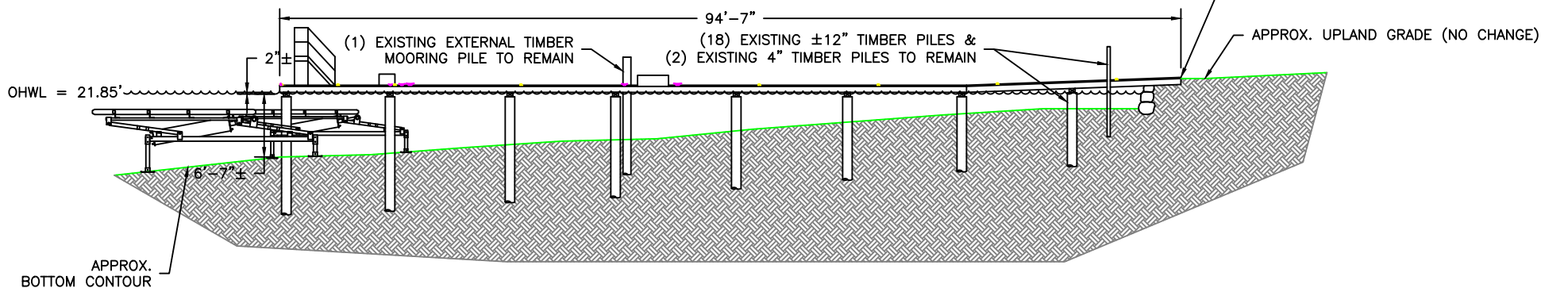
PROJECT DESIGNED BY:
Waterfront Construction Inc.
 THIS DOCUMENT IS PROPRIETARY PROPERTY OF WATERFRONT CONSTRUCTION INC., AND IS NOT TO BE USED, IN WHOLE OR IN PART, FOR ANY OTHER PROJECT WITHOUT THE WRITTEN AUTHORIZATION OF WATERFRONT CONSTRUCTION INC.

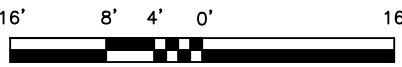
REFERENCE #:	
APPLICANT: STEPHEN NEWTON	
PROPOSED: DOCK SURFACE REPLACEMENT W/ LIGHT-TRANSMITTING GRATING	
SHEET: 3 OF: 6	NEAR/AT: MERCER ISLAND
DATE: 10/04/2024	DWG#: 24-38029-A1-3




JOB SITE
 TN-747-ANSNS-GNRRN TRUST
 5045 FOREST AVE SE
 MERCER ISLAND, WA 98040
 242404-9035

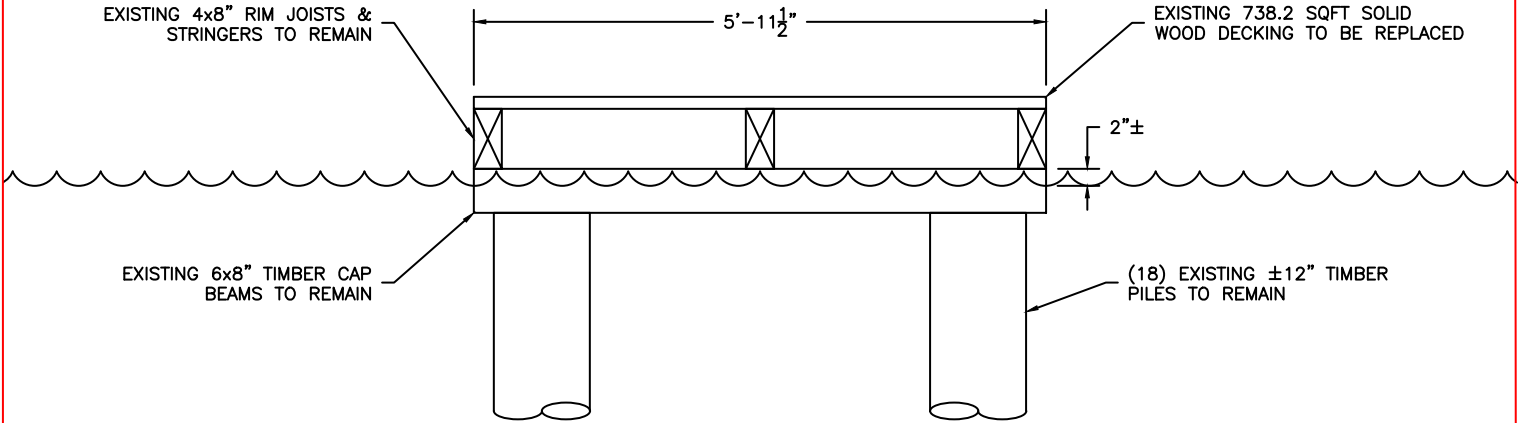
PROPOSED SITE PLAN DETAIL
 SCALE: 1/16"=1'



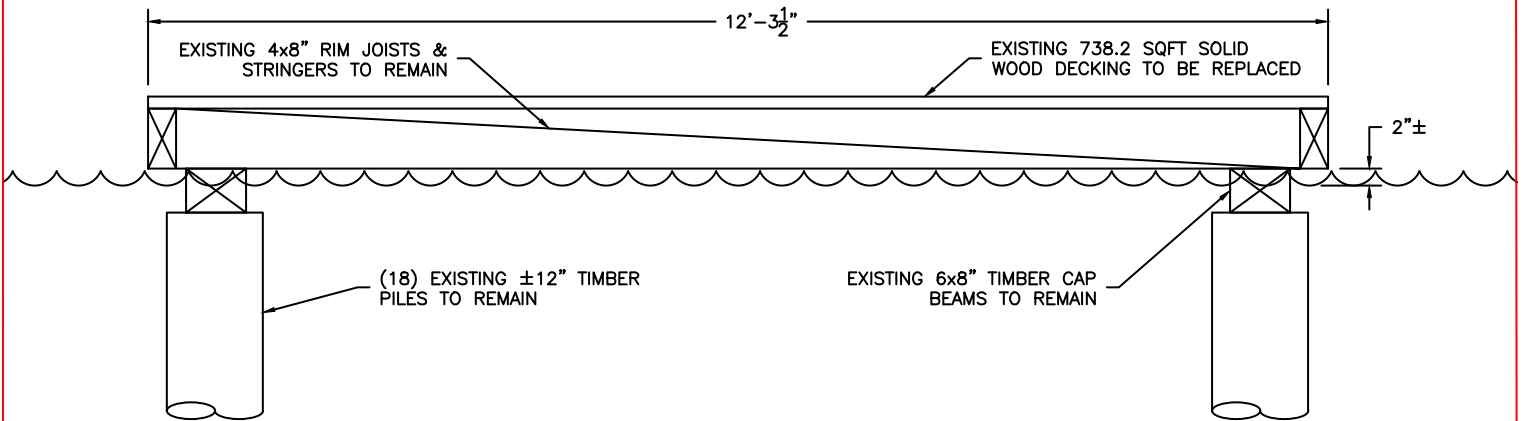
PROPOSED ELEVATION

 SCALE: 1/16"=1'

PROJECT DESIGNED BY:
Waterfront Construction Inc.
 THIS DOCUMENT IS PROPRIETARY PROPERTY OF WATERFRONT CONSTRUCTION INC., AND IS NOT TO BE USED, IN WHOLE OR IN PART, FOR ANY OTHER PROJECT WITHOUT THE WRITTEN AUTHORIZATION OF WATERFRONT CONSTRUCTION INC.

REFERENCE #:	
APPLICANT: STEPHEN NEWTON	
PROPOSED: DOCK SURFACE REPLACEMENT W/ LIGHT-TRANSMITTING GRATING	
SHEET: 4 OF: 6	NEAR/AT: MERCER ISLAND
DATE: 10/04/2024	DWG#: 24-38029-A1-4



EXISTING SECTION A-A
SCALE: 1/2"=1'



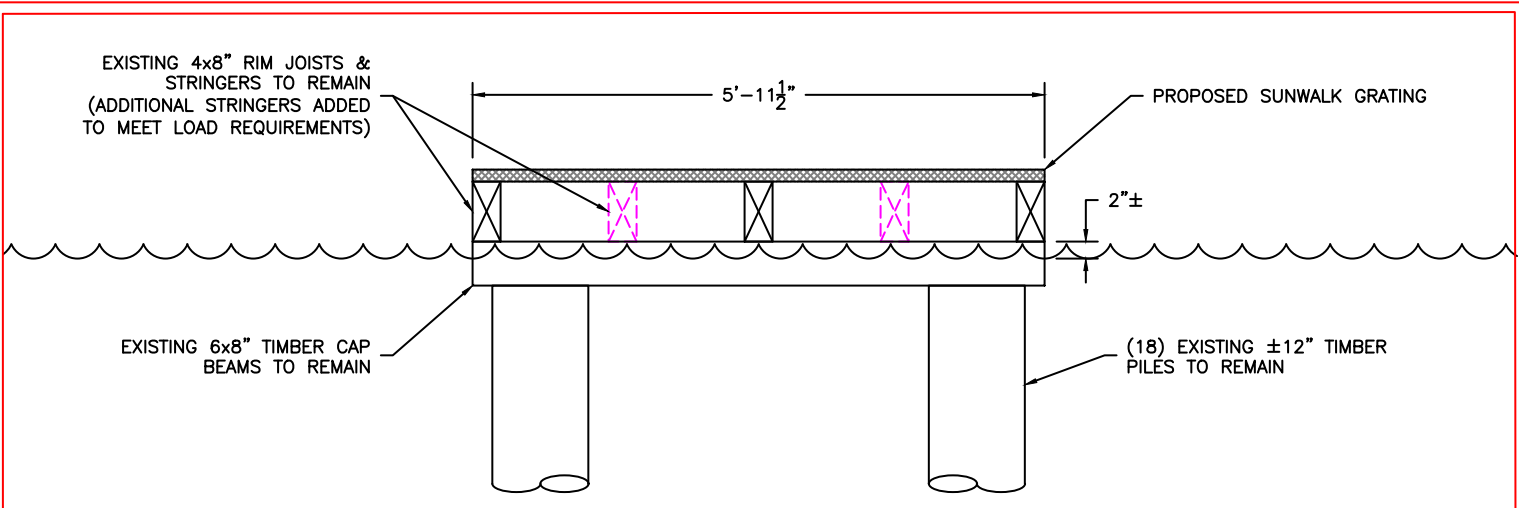
EXISTING SECTION B-B
 2' 1' 6" 0' 2'
 SCALE: 1/2"=1'

PROJECT DESIGNED BY:

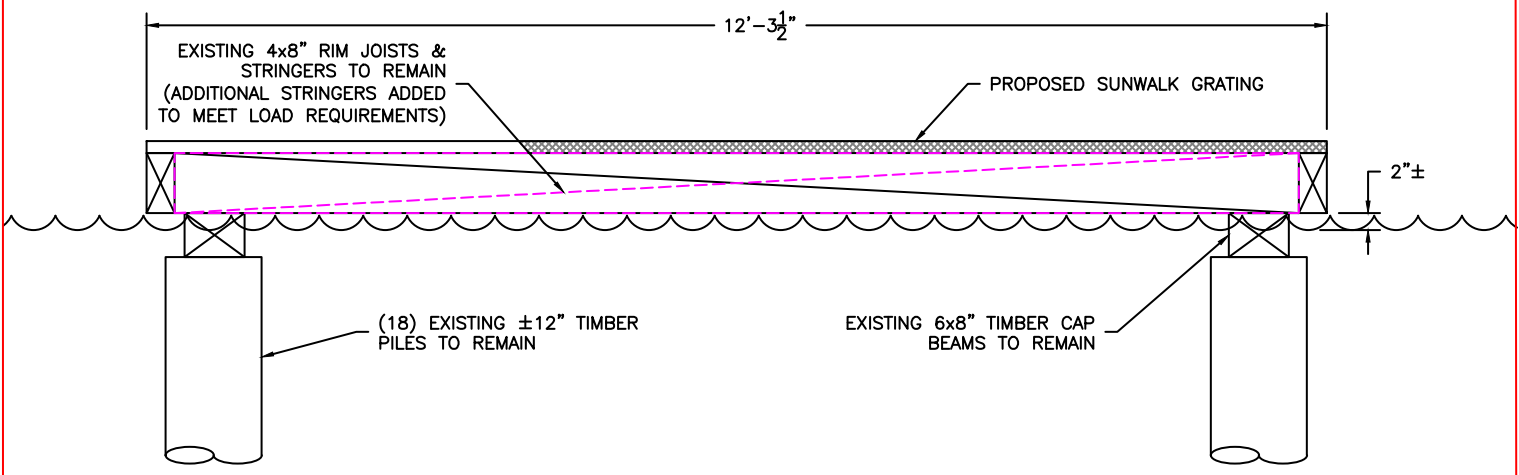
Waterfront Construction Inc.

THIS DOCUMENT IS PROPRIETARY PROPERTY OF WATERFRONT CONSTRUCTION INC., AND IS NOT TO BE USED, IN WHOLE OR IN PART, FOR ANY OTHER PROJECT WITHOUT THE WRITTEN AUTHORIZATION OF WATERFRONT CONSTRUCTION INC.

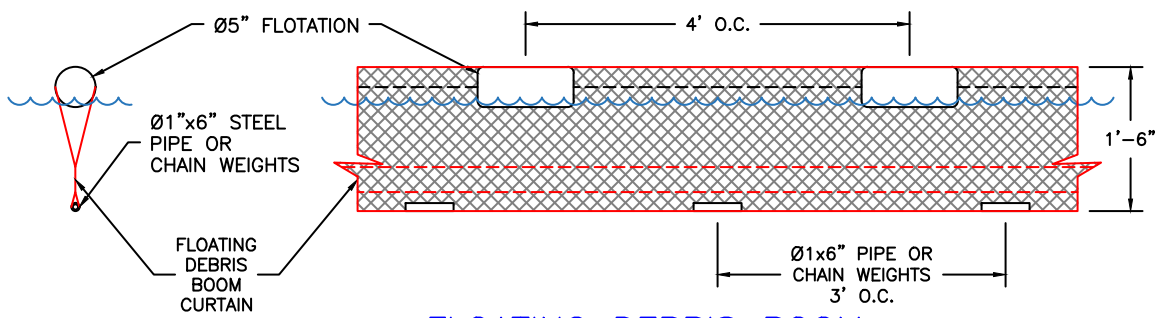
REFERENCE #:	
APPLICANT: STEPHEN NEWTON	
PROPOSED: DOCK SURFACE REPLACEMENT W/ LIGHT-TRANSMITTING GRATING	
SHEET: 5 OF: 6	NEAR/AT: MERCER ISLAND
DATE: 10/04/2024	DWG#: 24-38029-A1-5



PROPOSED SECTION A-A
SCALE: 1/2"=1'



PROPOSED SECTION B-B
SCALE: 1/2"=1'



FLOATING DEBRIS BOOM
SCALE: 1/2"=1'

PROJECT DESIGNED BY:
Waterfront Construction Inc.
THIS DOCUMENT IS PROPRIETARY PROPERTY OF WATERFRONT CONSTRUCTION INC., AND IS NOT TO BE USED, IN WHOLE OR IN PART, FOR ANY OTHER PROJECT WITHOUT THE WRITTEN AUTHORIZATION OF WATERFRONT CONSTRUCTION INC.

REFERENCE #:	
APPLICANT: STEPHEN NEWTON	
PROPOSED: DOCK SURFACE REPLACEMENT W/ LIGHT-TRANSMITTING GRATING	
SHEET: 6 OF: 6	NEAR/AT: MERCER ISLAND
DATE: 10/04/2024	DWG#: 24-38029-A1-6